

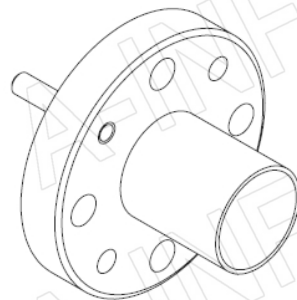
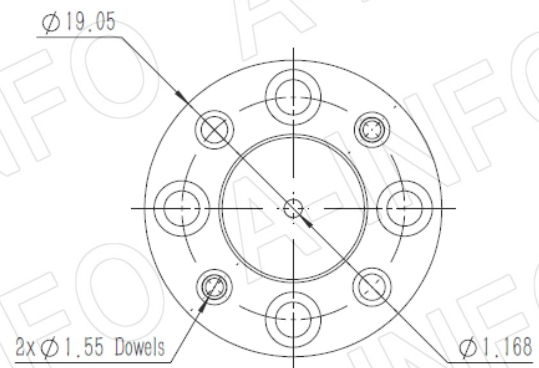
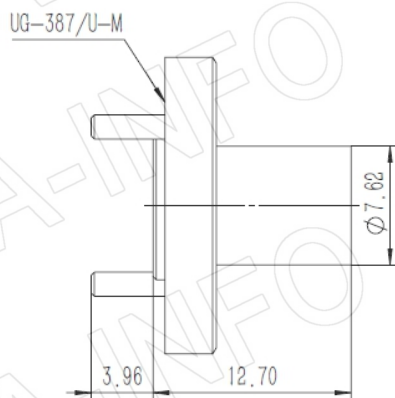
For reference only. See data sheet for the detailed specifications.

## Technical Specification



Frequency Range(GHz)	183.0 – 240.0
Circular WG Size	1.168mm / 0.046"
Gain(dBi)	20 Typ.
Polarization	Linear and Circular
3dB Beamwidth(deg)	E Plane: 14 Typ.
	H Plane: 16 Typ.
Cross Pol. Isolation(dB)	40 Typ.
VSWR	1.20:1 Max.
Output	UG-387/U-M
Material	Cu
Finish	Gold Plated
Size(mm)	19.05 x 19.05 x 12.7
Net Weight(Kg)	0.01 Around

## Outline Drawing (Size: mm)



AINFO Inc.

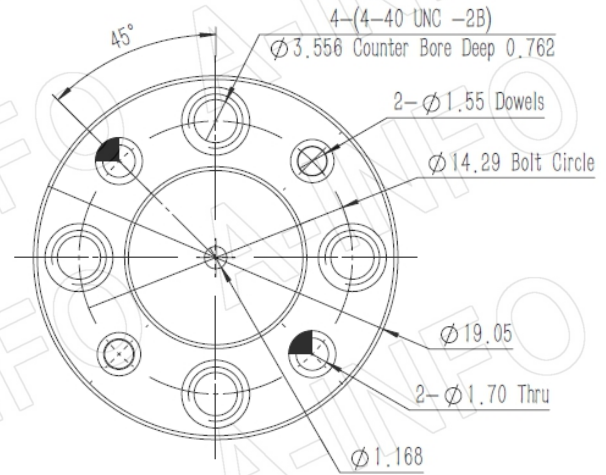
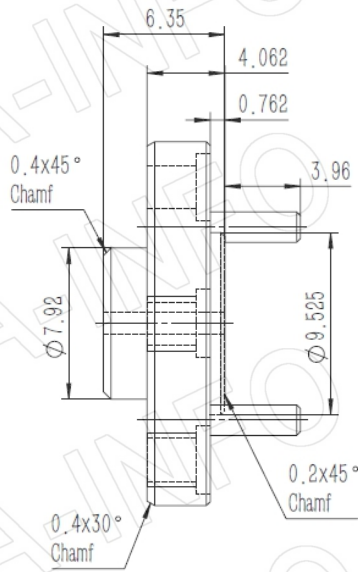
Page 1 of 3

China(Beijing): Tel: (+86) 10-6266-7326,  
China(Chengdu): Tel: (+86) 28-8519-2786,  
USA : Tel: (+1) 949-639-9688,

(+86) 10-6266-7327 Fax: (+86) 10-6266-7379  
(+86) 28-8519-3044 Fax: (+86) 28-8519-3068  
(+1) 949-639-9608 Fax: (+1) 949-639-9670

Website: [www.ainfoinc.com](http://www.ainfoinc.com)  
Email: [sales@ainfoinc.com](mailto:sales@ainfoinc.com)

## Flange Drawing (Size: mm)



UG-387/U-M

## Test Results (Including circular to rectangular transition)

### Gain & Antenna Factor

